

FL675 & FL680 Adjustable Furniture-Leg Cutting Confirmation Sheet

Thank you for your order. To minimise the risk of error when manufacturing, please confirm the dimensions on our cutting sheet match your requirements

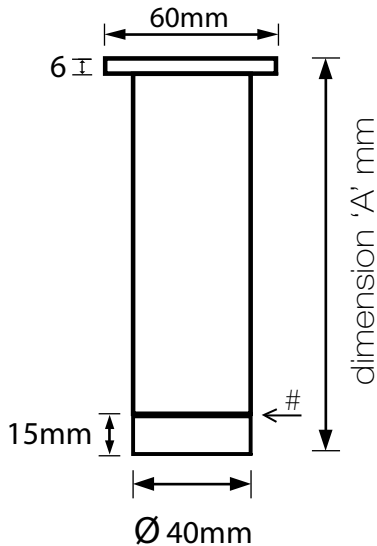
Customer:.....

Attn:.....

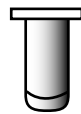
Re Your Order:.....

Date:/...../.....

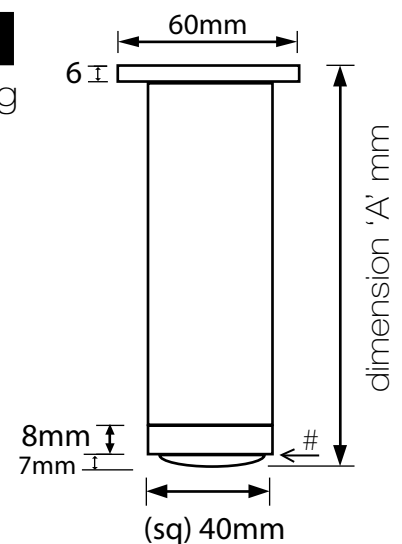
<input type="checkbox"/>	FL675 Round Leg	<input type="checkbox"/>	Colour Finish: (please tick one)	<input type="checkbox"/>	MAT	<input type="checkbox"/>	BLACK
<input type="checkbox"/>	FL680 Square Leg	<input type="checkbox"/>	Colour Finish: (please tick one)	<input type="checkbox"/>	MAT	<input type="checkbox"/>	SILVER



FL675
Round Leg



FL680
Square Leg



Quantity	<input type="checkbox"/> Length (dimension A)
# Maximum height adjustment = 10mm	

Quantity	<input type="checkbox"/> Length (dimension A)
# Maximum height adjustment = 17mm	

Please Note: Custom made goods are non-refundable
 Please confirm / complete the above size dimensions and quantities.
 Date and Sign below then fax back to us on the above fax number
 and your order will be placed into our production schedule.

Signed:.....

Date:/...../.....