

F390 - J Section Cutting Confirmation Sheet

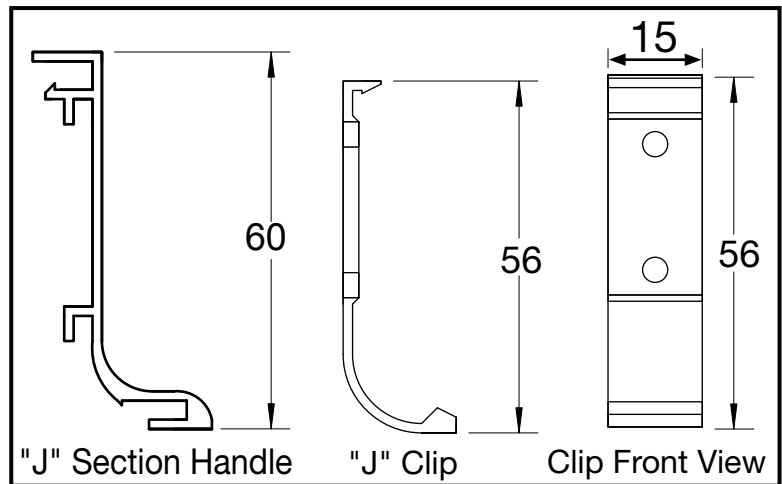
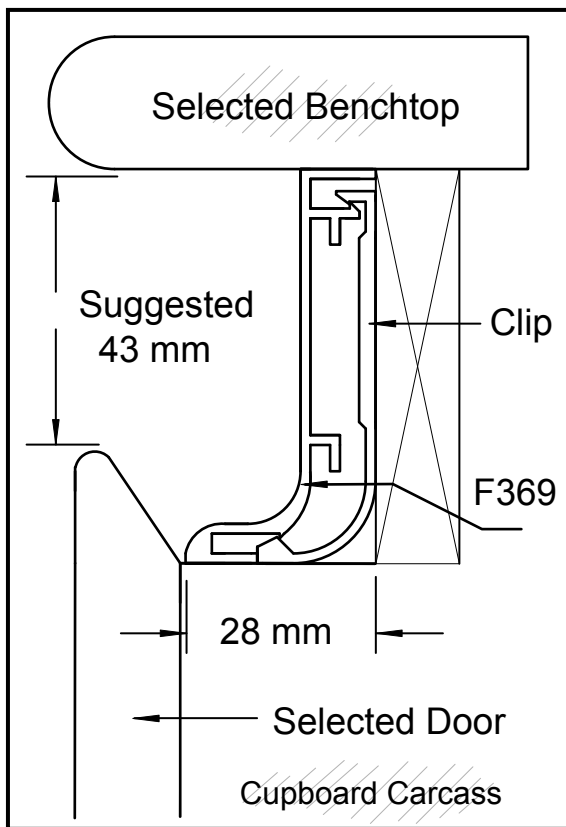
Thank you for your order. To minimise the risk of error when manufacturing, please confirm the dimensions on our cutting sheet match your requirements

Customer:.....

Attn:.....

Re Your Order:.....

Date:/...../.....



Quantity	Length

Please Note: Custom made goods are non-refundable

Please confirm / complete the above size dimensions and quantities. Date and Sign below then fax back to us on the above fax number and your order will be placed into our production schedule.

Signed:.....

Date:/...../.....