



E2081 Stainless Steel Handle

Sizes: (mm)

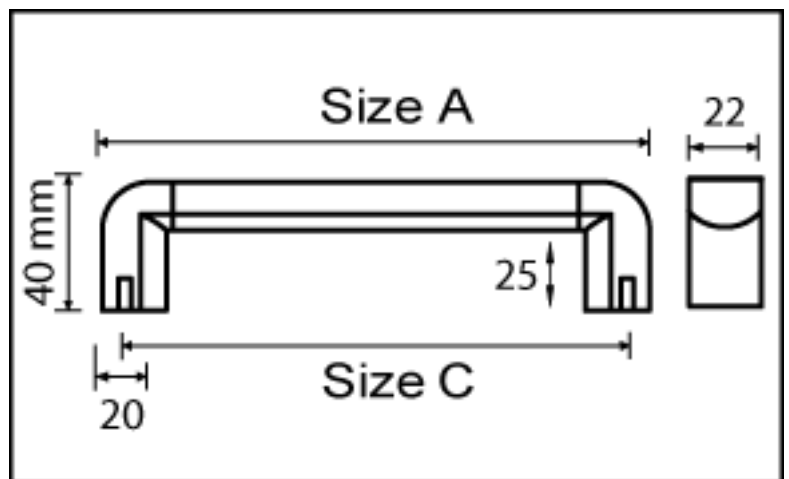
size A = overall

size C = centre to centre

22mm wide standard lengths.

High quality stainless steel bar, zinc diecast end fittings

| E2081 | Size A | Size C |
|-------|--------|--------|
| | 138 | 128 |
| | 202 | 192 |
| | 234 | 224 |
| | 298 | 288 |
| | 394 | 384 |
| | 490 | 480 |
| | 600 | 590 |
| | 700 | 690 |
| | 800 | 790 |



Kethy Australia
 Architectural Accessories
 Greg Steele Trading Pty Ltd
 Unit 15/ 29-33 Waratah Street
 (PO Box 3292)
 Kirrawee NSW 2232
 Australia

Phone: (02) 9542 4991
 Fax: (02) 9542 4662
 Email: sales@kethy.com.au
 Melbourne and Brisbane
 Phone/Fax: 1300 769 662
 Mobile: Brisbane 0409 578 885
 Mobile: Melbourne 0400 494 368