
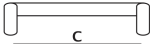

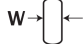
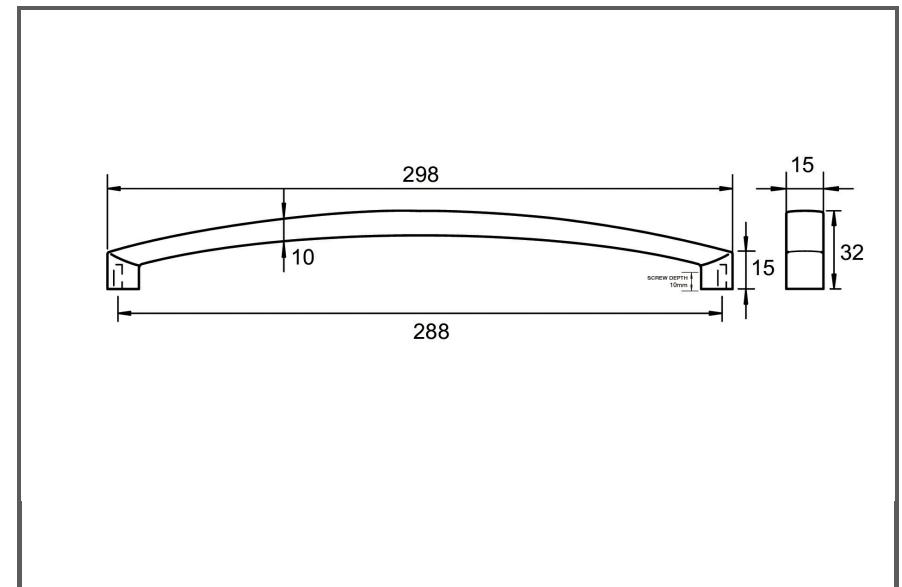


Sydney Head Office Phone: (02) 9542 4991
 Sydney Head Office Fax: (02) 9542 4662
 Brisbane 0400 494 368
 Melbourne 0409 578 885
 Auckland: 021 964 600
 Email: sales@kethy.com



Material:	Die-cast Zinc		
Article Number:	D592/ reference C / colour		
			
A	C	P	W
298	288	32	15
Colours available:	Polished Chrome (PC) Stainless Effect (SE)		



Kethy Australia