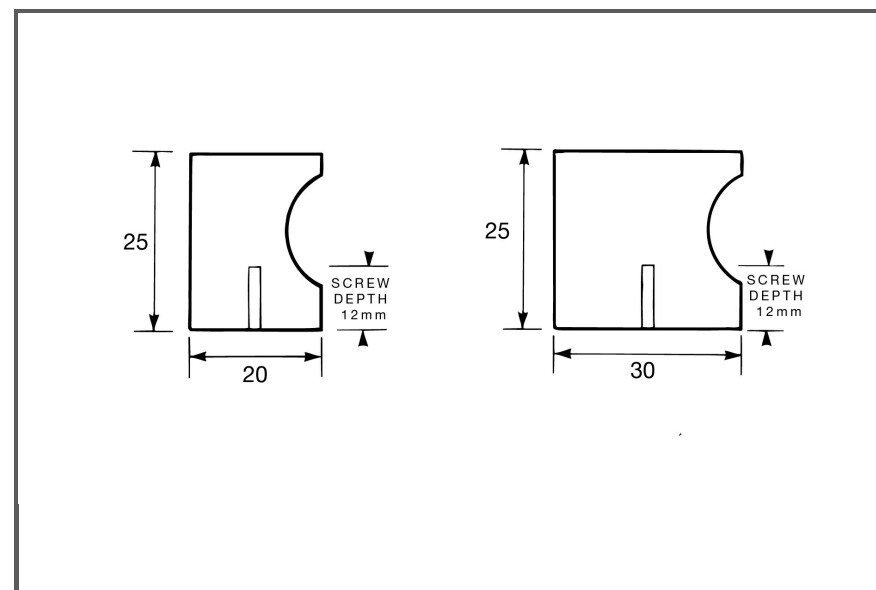


Sydney Head Office Phone: (02) 9542 4991  
 Sydney Head Office Fax: (02) 9542 4662  
 Brisbane 0400 494 368  
 Melbourne 0409 578 885  
 Auckland: 021 964 600  
 Email: sales@kethy.com



Material:	Anodised aluminium		
Article Number:	F402 / reference A / colour		
<b>A</b>	<b>C</b>	<b>P</b>	<b>W</b>
20	0	25	20
30	0	25	30
Colours available:	Matt Black Anodised (MBK) Satin Anodised (SAT) Silver Anodised (SIL)		



Kethy Australia