
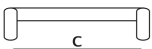

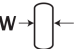
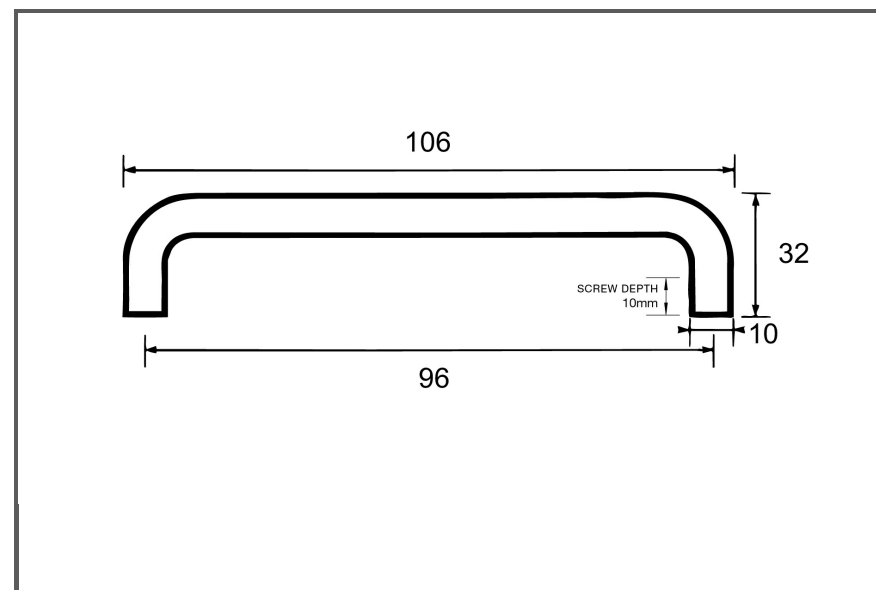


Sydney Head Office Phone: (02) 9542 4991
 Sydney Head Office Fax: (02) 9542 4662
 Brisbane 0400 494 368
 Melbourne 0409 578 885
 Auckland: 021 964 600
 Email: sales@kethy.com



Material:	Die-cast Zinc		
Article Number:	S509 / reference C / colour		
			
A	C	P	W
106	96	32	10
Colours available:	Polished Chrome (PC) Satin Chrome (SAT)		



Kethy Australia